

Model No :: **62560-MSS/STARRY**
 Name :: Galaxy



Project Name :: _____
 Location :: _____
 Type :: _____
 Quantity :: _____
 Notes :: _____

Product Information

Product ID :: 62560
 UPC Code :: 641594223729
 Mounting Type :: Wall
 Finish :: Mirrored Stainless Steel (MSS)
 Diffuser :: Starry Night (STARRY)
 Alt. Finishes :: Mirrored Stainless Steel (MSS)
 Alt. Diffusers :: Starry Night (STARRY)

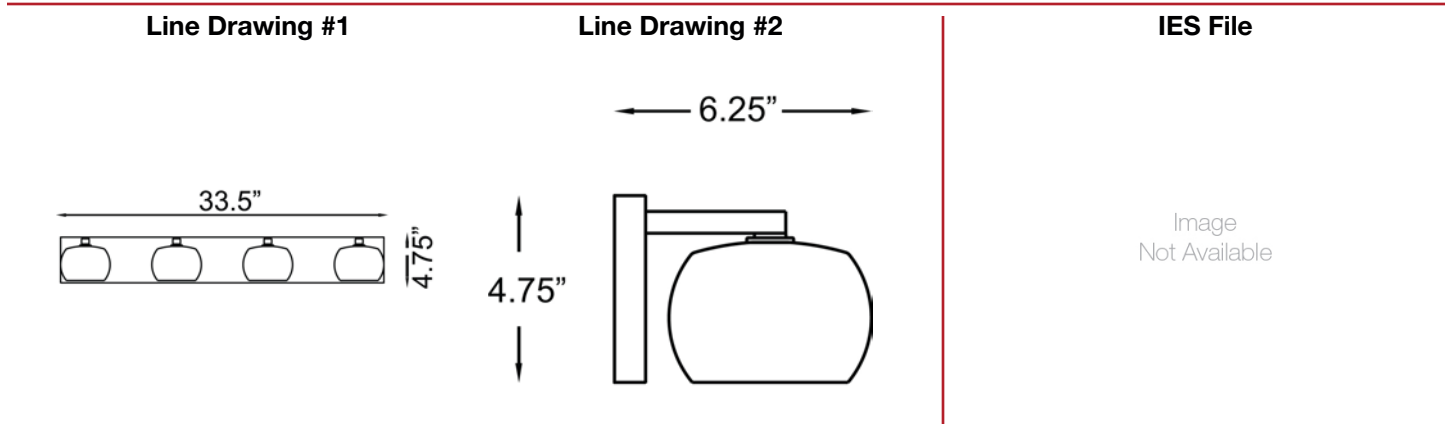
Product Dimensions

Fixture	Canopy
Length :: N/A	Length :: N/A
Width :: 33.5"	Width :: N/A
Diameter :: N/A	Diameter :: N/A
Extension :: 6.25"	Height :: N/A
Height :: 4.75"	
Overall Height :: N/A	



Technical Specifications

Qualifications	Specifications	Photometrics	Recommended Dimmers
Location Rating :: Damp	Frame Material :: Stainless Steel	CCT :: 3000	(TRIAC) Any Standard Dimmer
Certification :: UL Listed (US/Canada)	Diffuser Material :: Glass	CRI :: 80	
IES File ::	Voltage :: 120v	Wattage :: 160w	
JA8 Compliant :: No	Lamping Type :: Halogen	Nominal Lumens :: 1920Lm	
Energy Star :: No	Lamping Base :: G9	Delivered Lumens :: N/A	
ADA Compliant :: No	Lamp Quantity :: 4	Additional Items :: 0	
Marine Grade :: No	Lamp Wattage :: 40 W		
Emergency Lighting :: No	Total Wattage :: 160w		
Warranty :: 1 Year Limited	Lamps Included :: Yes		
	J-Box Type :: Standard		



Toll Free 800-828-5483 • www.AccessLighting.com

14410 Myford Road, Irvine, CA 92606
 The information provided is subject to change without notice. ©2020 Access Lighting Corporation. All Rights Reserved
 Rev. 202004 Filename:: 62560-MSS_STARRY.pdf

