

# 461412

Specification Sheet

## Pendant Lamp



GD - Gold

| PROJECT |          |            |                  |                     |  |            |     |
|---------|----------|------------|------------------|---------------------|--|------------|-----|
| DATE    |          | TYPE       |                  |                     |  |            |     |
| Voltage | Watt     | LED Lumens | Delivered Lumens | Finish(es)          |  | Color Temp | N/A |
| 120V    | 1 x 60W* | N/A        | N/A              | GD - Gold           |  | CRI(Ra)    | N/A |
| 120V    | 1 x 60W* | N/A        | N/A              | BN - Brushed Nickel |  | Dimming    | N/A |
| 120V    | 1 x 60W* | N/A        | N/A              | BK - Black          |  | Rated Life | N/A |

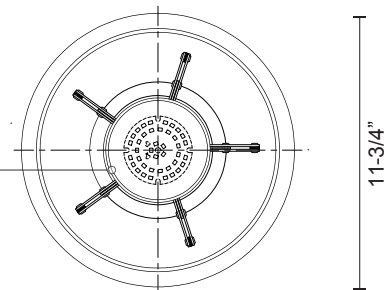
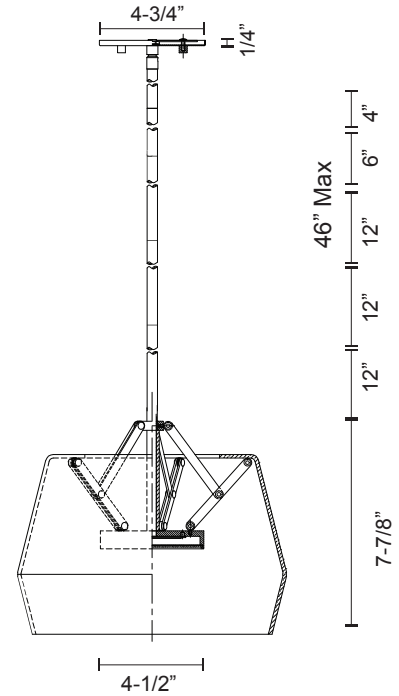
\*Preliminary figures



BN - Brushed Nickel



BK - Black



### Product Descriptions

Single-lamp pendant with revolved glass shade rests atop a visible metal inner structure. Configured as vintage brass, black or brushed nickel details with clear glass. Suspended with matching tubing to a maximum length of 46". Available in two sizes.

### Product Details

High system efficacy. Low total life cycle cost. ETL Listed.

5-years warranty.

Complete warranty terms located at:

[www.kuzcolighting.com/warranty](http://www.kuzcolighting.com/warranty)

Lamp type incandescent with E26 medium base bulb (bulb not included).

Comments:

Canopy dimensions:

D: 4-3/4" H: 1/4"

**KUZCO**

20190110

19054 28th Avenue  
Surrey, BC, Canada  
V3Z 6M3

T: 604 538 7162  
F: 604 538 7196  
W: Kuzcolighting.com

