



Buy it for looks. Buy it for life.®

Specifications

DESCRIPTION

- Brass construction
- Cold expansion Pex connections for inlets
- Pressure balancing, four port, cycle valve
- Includes pre-installed test plug (cartridge also included inside carton)
- Allows valve to be soldered, pressure-tested, and flushed without damaging the cartridge

OPERATION

- Adjustable temperature limit stop to control maximum hot water temperature
- Pressure balancing mechanism maintain selected discharge temperature to $\pm 3^{\circ}\text{F}$

CARTRIDGE

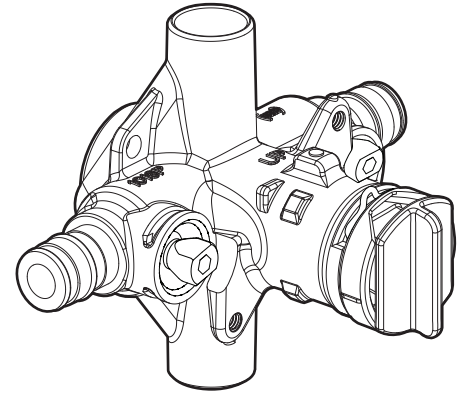
- 1222 cartridge design
- Nonmetallic/nonferrous and stainless steel materials
- Accommodates back to back installations

STANDARDS

- Third party certified to meet ASME A112.18.1/CSA B-125.1 and ASSE 1016, all applicable requirements referenced therein
- ASTM F-1960 - Standard specification for cold expansion fittings with PEX reinforcing rings for use with Pex tubing

WARRANTY

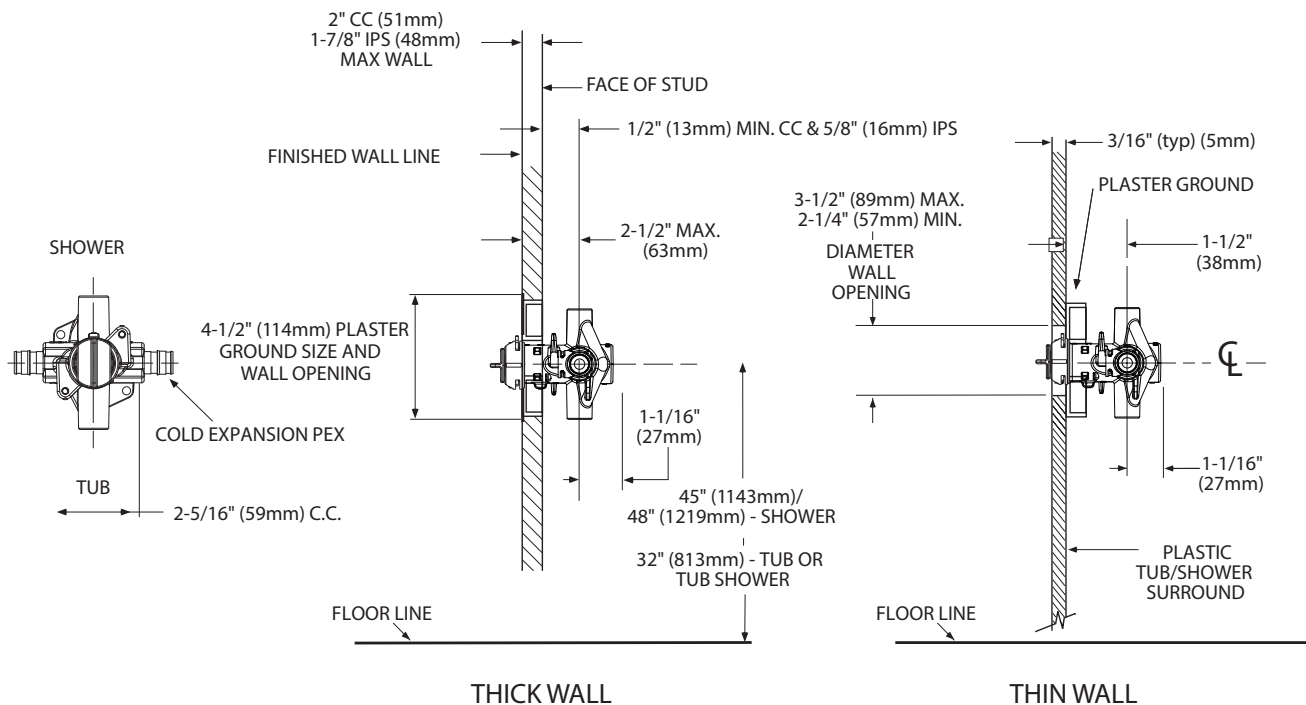
- Lifetime limited warranty against leaks, drips and finish defects to the original consumer purchaser
- 5 year warranty if used in commercial installations



M-PACT POSI-TEMP® VALVE Pressure-Balancing Valve with cold expansion Pex Connection

Model:

FP62385 (cold expansion Pex with stops)



CRITICAL DIMENSIONS

(DO NOT SCALE)

FOR MORE INFORMATION CALL: 1-800-BUY-MOEN

www.moen.com